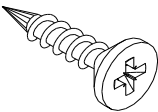


SR585

3/3

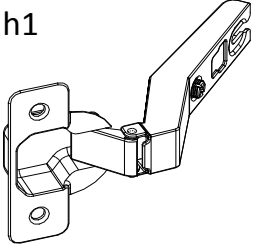
g



x12

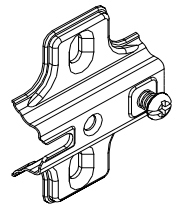
3,5x16

h1




x3

h2



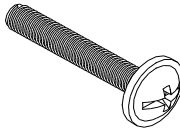
x3

i1



x1

i2



x2

